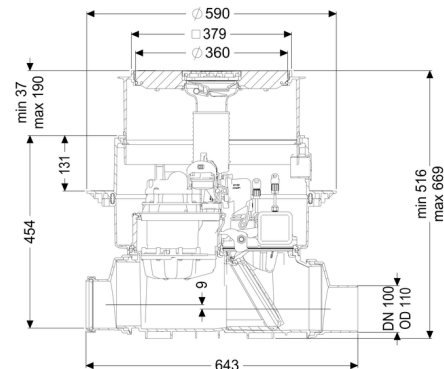


## Backwater pumping station, Pumpfix F DN 100, Floor slab, black



### Article information

Item no.: 24100S  
 GTIN: 4026092046524  
 Price group: 30

### Advantages

- Backwater pumping station: uses the natural fall to the sewer - pump is only used for backwater
- Flexible installation, different covers with drain function available for installation in the floor slab
- Quiet and energy-saving

### Description

The premium backwater pumping station for faecal and non-faecal wastewater is equipped with a pump and a motor-driven closure system.

The pipe cross-section is normally open. In case of backwater, the motor-driven closure system is closed automatically. During the backwater phase, the water drains via the pump with integrated macerator.

The station is controlled by a user-friendly control unit, which is optionally integrated in the building management system via a potential-free contact, or alarm and collective fault messages can be output via a GSM interface.

Type of wastewater: wastewater with sewage  
 Installation situation: floor slab installation

### Version:

Odour trap: Multistop  
 Emergency closure: yes  
 Pump control: Control unit

|   |  |
|---|--|
| Delivery state:                         | Pre-mounted for final assembly on site (pumps and sensor system must be fitted on site and control unit must be connected) |
| Number of motor-driven backwater flaps: | 1  |

### General characteristics:

|                      |            |
|----------------------|------------|
| Nominal size (DN):   | 100        |
| Outer diameter (OD): | 110        |
| Colour:              | black      |
| Approval:            | Z-53.2-388 |

### Dimensions:

|                           |        |
|---------------------------|--------|
| Length:                   | 642 mm |
| Width:                    | 590 mm |
| Cutout dimension, length: | 750 mm |
| Cutout dimension, width:  | 750 mm |

### Tank:

|  |              |
|--|--------------|
| Installation depth:                                    | 486 - 640 mm |
| Groundwater resistant from lower edge of base section: | 3000 mm      |

### Drain body:

|                      |                                     |
|----------------------|-------------------------------------|
| Socket version:      | including spigot and socket         |
| Vertical adjustment: | vertically adjustable upper section |

### Coverage features:

|                    |                                |
|--------------------|--------------------------------|
| Type of cover:     | Cover plate with slotted cover |
| Cover material:    | Polymer                        |
| Colour of cover:   | black                          |
| Drainage function: | yes                            |
| Load class:        | L 15 (EN 1253-1)               |
| Length:            | 366 mm                         |
| Width:             | 366 mm                         |
| Locking:           | Lock & Lift                    |

### Pumping device:

|  |                                |
|--|--------------------------------|
| Pump:  | SPZ 1000                       |
| Number of pumps:                                   | 1                              |
| Max. pumping capacity:                             | 11.5 m <sup>3</sup> /h         |
| Max. pumping height:                               | 10 m                           |
| Operating mode:                                    | S3 - 50 %                      |
| Power P1:  | 1.2 kW                         |
| Power P2:  | 0.69 kW                        |
| Speed:   | 2,800 U/min                    |
| Type of fuse required (electrical protection):     | C 16 A                         |
| Max. temperature (permanent) of conveyed material: | 40 °C                          |
| Connection type:                                   | coded plug                     |
| Weight:  | 10 kg                          |
| Impeller type:                                     | Macerator                      |
| Length of mains cable for pump:                    | 5 m                            |
| Rated current:                                     | 5.2 A                          |
| Protection class (pump):                           | IP 68 (3m/48h)                 |
| Protection class:                                  | I                              |
| Type of pump connection cable:                     | H07RN-F 3G 1.0 mm <sup>2</sup> |
| Temperature monitoring:                            | integrated                     |
| Cos phi - power factor:                            | 0.97                           |
| Insulation class:                                  | F                              |
| Vertical drop between inlet and outlet:            | 9 mm                           |
| Motor type:  | KSM 140                        |
| Protection class motor:                            | IP 68 (3m/48h)                 |
| Protection class probe:                            | IP 68 (3m/48h)                 |

### Control:

|   |               |
|---|---------------|
| Control unit:                           | Comfort       |
| Operating voltage:                      | 230 V         |
| Mains frequency:                        | 50 Hz         |
| Self-diagnosis system (SDS):            | yes           |
| Battery buffering:                      | yes           |
| Multi-line display:                     | yes           |
| Log book function:                      | yes           |
| USB interface:                          | yes           |
| GSM interface:                          | yes           |
| Potential-free contact:                 | optional      |
| Protection class control unit:          | IP 54         |
| Length of mains cable for control unit: | 1.4 m         |
| Type of level measurement:              | optical       |
| Level measurement instrument:           | optical probe |
| Alarm sensor:                           | optical probe |