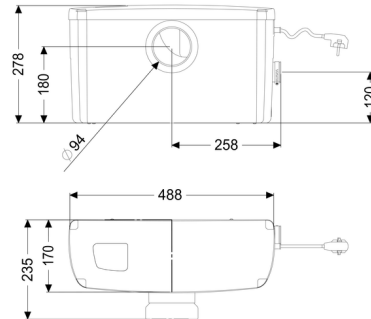
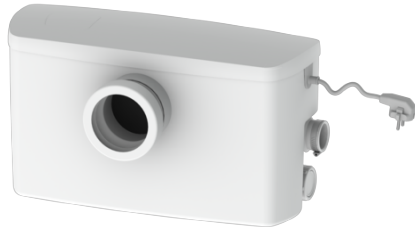


Lifting station Minilift F Free-standing set-up



Article information

Item no.: 28520
 GTIN: 4026092072899
 Price group: 20

Advantages

- High-performance cutting unit SharkTwister
- Intelligent control technology
- Easy maintenance

Description

The ready to plug in small lifting station for faecal and faecal-free wastewater is suitable for the wastewater drainage of individual toilets. The collection tank made of polymer (ABS) is equipped with a backflow preventer, an activated carbon filter, an alarm function, a horizontal inlet DN 100 and two horizontal inlets DN 40.

The integrated control unit controls the small lifting station via pneumatic level measurement.

Type of wastewater:	wastewater with sewage
Installation situation:	free-standing set-up

Version:

Type of system:	Single station
Backflow preventer:	integrated
Delivery state:	plug-in ready

General characteristics:

Colour:	white
Standard:	EN 12050-3

Dimensions:

Length:	488 mm
Width:	237 mm
Height:	285 mm

Tank:

Number of inlets:	3 ST
Inlet nominal size (DN):	100
Inlet nominal size (OD):	110 mm
Distance from centre of outlet pipe to tank bottom:	108 mm
Distance from centre of inlet pipe to tank bottom:	180 mm
Tank volume:	11 l
Pumping volume:	4 l
Pressure pipe connection:	horizontal
Pressure pipe connection (OD):	28 mm

Pumping device:

Number of pumps:	1
Max. pumping height:	6.4 m
Operating mode:	S3 - 30 %
Power P1:	0.65 kW
Power P2:	0.35 kW
Speed:	2,900 U/min
Max. temperature (permanent) of conveyed material:	35 °C
Connection type:	Schuko (earthed contact) 2-pin
Impeller type:	Macerator
Length of mains cable for pump:	1.6 m
Rated current:	2.8 A
Protection class (pump):	IP 44
Protection class:	I
Type of pump connection cable:	H03 VV-F 3G 0.75 mm ²
Temperature monitoring:	integrated

Control:

Operating voltage:	230 V
Mains frequency:	50 Hz
Type of level measurement:	pneumatic