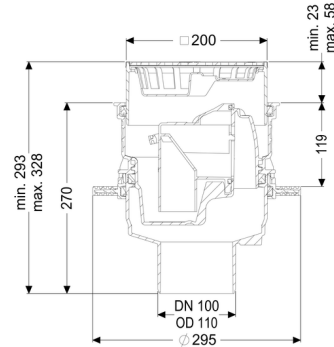
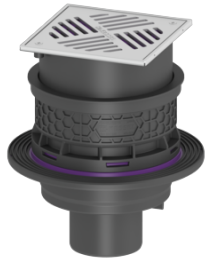


Universal Plus basement drain ver., SST, Odour trap, Waterpr.concrete



Article information

Item no.: 29141
 GTIN: 4026092096901
 Price group: 10

Description

The polymer Universal Plus basement drain is used for drainage of non-faecal wastewater and is equipped with a removable odour closure and a sludge bucket. Including temporary protective cover.

The drain is pressure-waterproof up to 0.6 bar (MFPA Leipzig tested) and radon-tight (IAF Radioökologie GmbH tested).

Type of wastewater:	wastewater without sewage
Installation situation:	floor slab installation

Version:

Odour trap:	included
-------------	----------

General characteristics:

Nominal size (DN):	100
Colour:	black
Standard:	EN 1253

Dimensions:

Height:	270 mm
Cutout dimension, length:	310 mm
Cutout dimension, width:	310 mm
Diameter:	295 mm

Tank:

Outlet nominal size (DN):	100
Outlet nominal size (OD):	110
Installation depth:	285 - 340 mm

Drain body:

Socket version:	vertical
Vertical adjustment:	vertically adjustable upper section
Adjustment range:	23 - 80 mm

Coverage features:

Type of cover:	Slotted cover made of stainless steel
Cover material:	304 stainless steel
Colour of cover:	silver
Load class:	K 3 (EN 1253-1)
Length:	200 mm
Width:	200 mm
Height:	25 mm
Sludge bucket:	yes
Discharge rate (l/s) with 10 mm backwater:	1,6 l/s
Discharge rate (l/s) with 20 mm backwater:	2.3 l/s