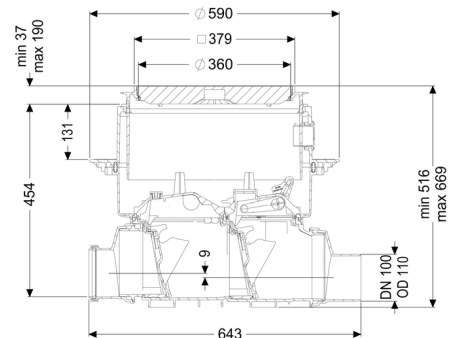


Backwater valve Staufix SWA DN 100, Floor slab, black



Article information

Item no.: 73100.10S
 GTIN: 4026092003916
 Price group: 30

Advantages

- Simple conversion to Staufix FKA or Pumpfix F
- Fast, simple and toolless maintenance
- Available as a complete set or module set

Description

The premium backwater valve for wastewater without sewage is equipped with two mechanical flaps which close automatically in the event of backwater. One flap serves at the same time as an emergency closure to be closed by hand.

Thanks to the modular KESSEL system, existing systems can easily be converted to a Staufix FKA premium backwater valve or a Pumpfix F backwater pumping station.

Type of wastewater: wastewater without sewage
 Installation situation: floor slab installation

Version:

Type of waterproofing layer:	Waterproofing layer
Emergency closure:	yes
Delivery state:	Installation-ready (connection parts must be connected on site)
Backwater protection:	Type 2
Number of mechanical backwater flaps:	2

General characteristics:

Nominal size (DN):	100
Outer diameter (OD):	110

Colour: black
Standard: EN 13564

Dimensions:

Length: 642 mm
Width: 590 mm
Cutout dimension, length: 750 mm
Cutout dimension, width: 750 mm

Tank:

Installation depth: 486 - 640 mm
Groundwater resistant from lower edge of base section: 3,000 mm

Drain body:

Socket version: including spigot and socket
Vertical adjustment: vertically adjustable upper section

Coverage features:

Type of cover: Cover plate
Cover material: Polymer
Colour of cover: black
Load class: L 15 (EN 1253-1)
Length: 366 mm
Width: 366 mm
Tightness: surface water resistant
Locking: Lock & Lift
Vertical drop between inlet and outlet: 9 mm