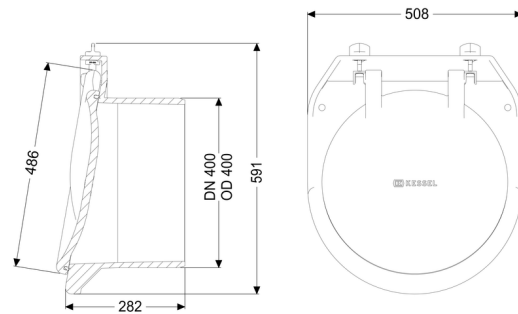


## Pipe flap valve DN 400



### Article information

Item no.: 79400  
 GTIN: 4026092011669  
 Price group: 10

### Advantages

- For universal use in salt and fresh water environments
- Low weight for simple installation with high mechanical strength
- High tightness: seals airtight even with low counter-pressure

### Description

The pipe flap valve serves as an end piece and has a mechanical flap which closes automatically.

Type of wastewater:	wastewater without sewage
Installation situation:	exposed drainage pipe
Delivery state:	installation-ready
Number of mechanical backwater flaps:	1

### General characteristics:

Nominal size (DN):	400
Outer diameter (OD):	405
Colour:	black

### Dimensions:

Length:	295 mm
Width:	417 mm
Height:	420 mm