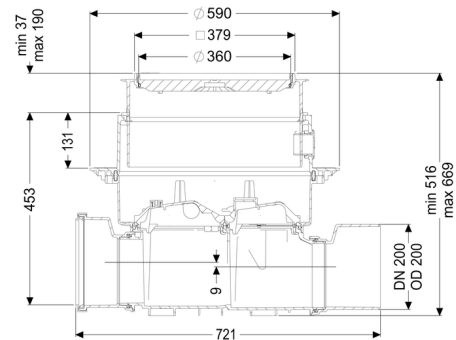
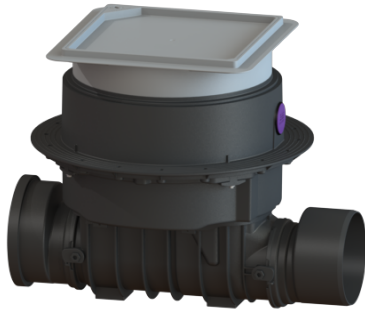


Controlfix clean out DN 200, Floor slab, tileable



Article information

Item no.: 80200X
 GTIN: 4026092046654
 Price group: 30

Advantages

- Simple conversion to Staufix SWA
- Staufix FKA or Pumpfix F
- Fast
- toolless access for cleaning
- Available as a complete set or module set

Description

The Premium clean out for faecal and faecal-free wastewater makes easy access to wastewater pipes possible for inspection and maintenance work.

Thanks to the modular KESSEL system, existing systems can easily be converted to a Staufix SWA Premium backwater valve, Staufix FKA or Pumpfix F backwater pumping station.

Type of wastewater:

wastewater with and without sewage

Installation situation:

floor slab installation

Version:

Type of waterproofing layer:

Waterproofing layer

Delivery state:

Installation-ready (connection parts must be connected on site)

General characteristics:

Nominal size (DN):

200

Outer diameter (OD):

200

Note on nominal size:

Hydraulics correspond to DN 150

Colour: black

Dimensions:

Length: 486 mm
Width: 590 mm
Cutout dimension, length: 750 mm
Cutout dimension, width: 750 mm

Tank:

Installation depth: 486 - 640 mm
Groundwater resistant from lower edge of base section: 3,000 mm

Drain body:

Socket version: including spigot and socket
Vertical adjustment: vertically adjustable upper section

Coverage features:

Type of cover: tileable cover plate
Cover material: Polymer
Max. flooring height: 16 mm
Load class: K 3 (EN 1253-1)
Length: 366 mm
Width: 366 mm
Tightness: surface water resistant
Locking: Lock & Lift
Vertical drop between inlet and outlet: 9 mm