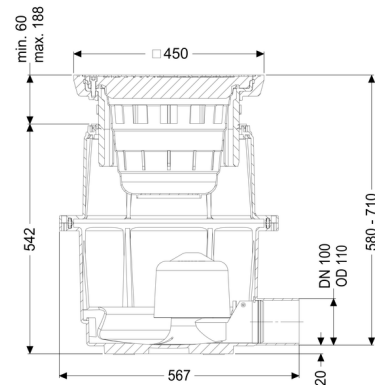


## Yard drain System 400, DN 100, D, 580-710 mm



### Article information

Item no.: 851101D  
 GTIN: 4026092004302  
 Price group: 10

### Advantages

- Different load classes available
- Height-adjustable complete system
- Easy underground installation

### Description

The polymer yard drain is used for point drainage and is resistant to aggressive wastewater. It is equipped with a sludge bucket and fuel resistant seals.

The polymer upper section enables continuous height and level adjustment.

### Version:

System:	400
Odour trap:	included
Heating:	without

Waterproofing layer on the upper section:	Connection flange
---	-------------------

### General characteristics:

Nominal size (DN):	100
Outer diameter (OD):	110
Colour:	black
Standard:	EN 752

### Dimensions:

Length:	563 mm
Width:	500 mm
Height:	580 mm
Cutout dimension, length:	585 mm
Cutout dimension, width:	535 mm
Min. insertion depth:	55 mm

#### **Tank:**

Installation depth:	580 - 710 mm
Groundwater resistant from lower edge of base section:	500 mm

#### **Drain body:**

Material of drain body:	Polymer
Socket version:	lateral
Vertical adjustment:	vertically adjustable upper section
Vertical adjustment:	55 - 180 mm
Adjustment range:	55 - 185 mm

#### **Coverage features:**

Type of cover:	Round slotted cover
Cover material:	Grey iron
Load class:	D 400 (EN 124)
Length:	450 mm
Width:	450 mm
Sludge bucket:	yes

#### **Grating:**

Rim length:	450 mm
Rim width:	450 mm
Shape of upper section:	square
Discharge rate (l/s) with 20 mm backwater:	4.5 l/s