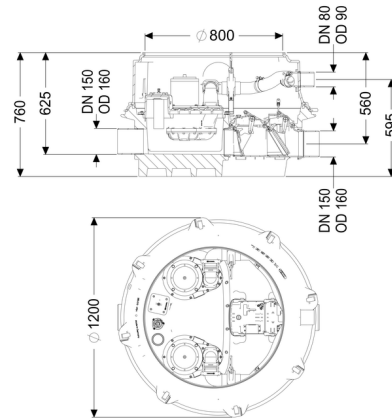


## Backwater lifting station Ecolift XL Duo, 1 motor-driven flap, SPF 4500-S3, Taper



### Article information

Item no.: 8741063  
GTIN: 4026092070727  
Price group: 60

### Advantages

- Wastewater drainage without interruption, even if a power failure occurs
- Low pump use
- minimised noise emissions
- ensures low power consumption
- Reduced maintenance costs due to longer maintenance intervals in commercial/industrial use

### Description

The backwater lifting station for non-faecal wastewater is equipped with two submersible pumps, one motor-driven and one mechanical closure system and a backflow preventer. The collection tank made of permanently resistant polymer (PE) has an enclosed pump tank. Quick-release closures enable the integrated components to be removed easily.

Normally, draining takes place via the natural fall to the sewer. Backwater is detected by an optical probe, which causes the motor-driven closure system to close automatically and there is no longer free passage to the sewer. During the backwater phase, the water drains via a pressure pipe, which carries the wastewater into the sewer.

The pressure pipe is a welded PE pipe; with pump SPF 4500, the pressure pipe must also be continued up to a pressure release chamber.

The station is controlled by a user-friendly control unit, which is optionally integrated in the building management system via a potential-free contact, or alarm and collective fault messages can be output via a GSM interface.

The KESSEL modular system provides different upper sections and engineering chamber options as accessories.

Type of wastewater: wastewater without sewage  
Installation situation: underground installation, floor slab installation

### Version:

Type of system: Twin pump station  
Shut-off valve: Shut-off valve made of polymer  
Pump control: Control unit  
Backflow preventer: integrated  
Note on installation depth: Version with lowest installation height  
Passage seal for ventilation pipe (DN): 70 mm  
Passage seal for conduit pipe (DN): 100 mm

Delivery state: Pre-mounted for final assembly on site (pumps and sensor system must be fitted on site and control unit must be connected)

Backwater protection: Type 3  
Number of mechanical backwater flaps: 1  
Number of motor-driven backwater flaps: 1

### General characteristics:

Colour: black  
Approval: Z-53.2-493

### Dimensions:

Length: 1,245 mm  
Width: 1,200 mm  
Height: 780 mm

### Tank:

Number of inlets: 1 ST  
Inlet nominal size (DN): 150  
Number of outlets: 1 ST  
Outlet nominal size (DN): 150  
Distance pipe bottom inlet to tank bottom: 135 mm  
Distance pipe bottom outlet to tank bottom: 120 mm  
Tank volume: 65 l  
Pumping volume: 20 l  
Pressure pipe connection: horizontal  
Pressure pipe connection (DN): 80 mm  
Pressure pipe connection (OD): 90 mm

|  |                    |
|--|--------------------|
| Venting connection (DN):                               | 70 mm              |
| Channel:   | continuous channel |
| Groundwater resistant from lower edge of base section: | 3,000 mm           |
| Clear width of tank (LW):                              | 1,000 mm           |
| Clear width of entry (LW):                             | 800 mm             |
| Nominal pressure (PN):                                 | 10                 |
| Free passage:  | 40 mm              |

### Pumping device:

|  |                                |
|--|--------------------------------|
| Pump:  | SPF 4500                       |
| Number of pumps:                                   | 2                              |
| Max. pumping capacity:                             | 45 m <sup>3</sup> /h           |
| Max. pumping height:                               | 21 m                           |
| Operating mode:                                    | S3 - 50 %                      |
| Power P1:  | 4.2 kW                         |
| Power P2:  | 3.5 kW                         |
| Speed:   | 2,850 U/min                    |
| Type of fuse required (electrical protection):     | 3 x C 25 A                     |
| Max. temperature (permanent) of conveyed material: | 40 °C                          |
| Connection type:                                   | Direct connection              |
| Weight:  | 26 kg                          |
| Impeller type:                                     | Multi-vane impeller            |
| Length of mains cable for pump:                    | 10 m                           |
| Rated current:                                     | 7.5 A                          |
| Protection class (pump):                           | IP 68 (3m/48h)                 |
| Protection class:                                  | I                              |
| Type of pump connection cable:                     | H07RN-F 7G 1.5 mm <sup>2</sup> |
| Temperature monitoring:                            | integrated                     |
| Cos phi - power factor:                            | 0.85                           |
| Insulation class:                                  | F                              |
| Vertical drop between inlet and outlet:            | 15 mm                          |

### Control:

|                              |              |
|------------------------------|--------------|
| Control unit:                | Comfort Plus |
| Operating voltage:           | 400 V        |
| Mains frequency:             | 50 Hz        |
| Self-diagnosis system (SDS): | yes          |
| Battery buffering:           | yes          |
| Multi-line display:          | yes          |
| Log book function:           | yes          |
| USB interface:               | yes          |
| GSM interface:               | yes          |
| Potential-free contact:      | yes          |

|   |                |
|---|----------------|
| Motor protection switch:                | yes            |
| Standby power:                          | 5 W            |
| Protection class control unit:          | IP 54          |
| Length of mains cable for control unit: | 0 m            |
| Type of level measurement:              | pneumatic      |
| Level measurement instrument:           | Immersion pipe |
| Alarm sensor:                           | optical probe  |