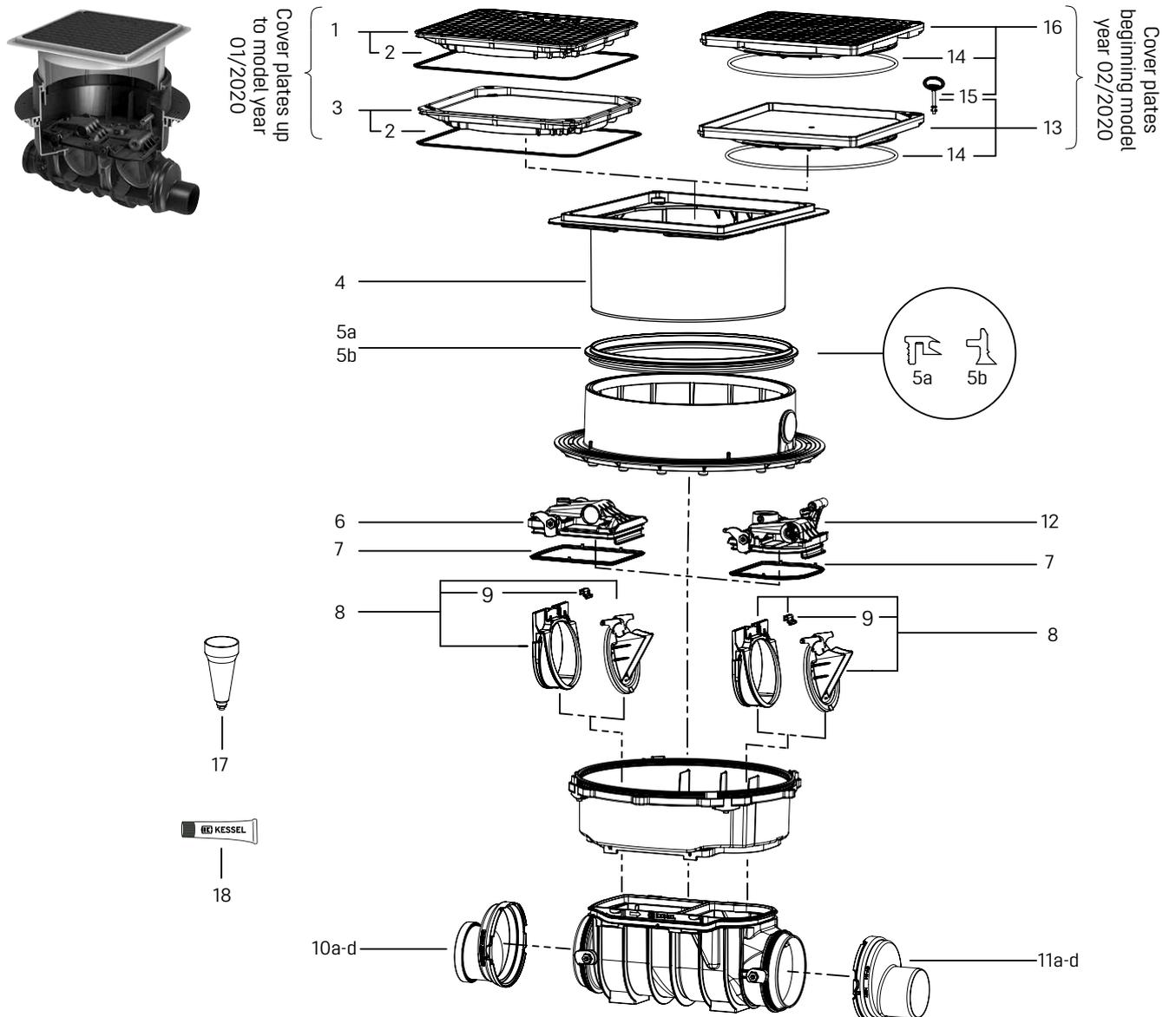


Backwater valve *Staufix SWA*

Installation in the floor slab, beginning model year 01/2011



Item	Designation	Art. no.	Item	Designation	Art. no.
1	Cover plate, tileable, surface water resistant, 384 × 384 mm, with seal, up to model year 01/2020	83 052	10c	Ø 160	83 087
2	Seal for cover plate 384 × 384 mm	680 025	10d	Ø 200	83 088
3	Cover plate, black, surface water resistant, 384 × 384 mm, with seal, up to model year 01/2020	83 050	11	Spigot incl. seal	
4	Upper section, Ø 330 mm, height-adjustable up to 170 mm, beginning model year 02/2020	830 061	11a	Ø 110	83 081
5	Seal for upper section		11b	Ø 125	83 082
5a	up to model year 06/2014	680 026	11c	Ø 160	83 083
5b	beginning model year 07/2014	680 150	11d	Ø 200	83 084
6	Lockable cover <i>Staufix SWA</i> , inlet side	80 013	12	Lockable cover <i>Staufix SWA</i> , outlet side	80 014
7	Seal set for two-piece lockable cover	70 318	13	Cover plate, tileable, surface water resistant, with seal, beginning model year 02/2020	830 052
8	Slide-in flap housing with mechanical flap and flap holder	80 041	14	Seal for cover plate, System 330 mm	686 114
9	Flap holder	680 101	15	Release key for <i>Lock & Lift</i> cover plates	67 007
10	Socket incl. seal		16	Cover plate, black, surface water resistant, with seal, beginning model year 02/2020	830 050
10a	Ø 110	83 085	17	Test funnel with seal	70 214
10b	Ø 125	83 086	18	High-performance grease for backwater valves, 12 g	681 001