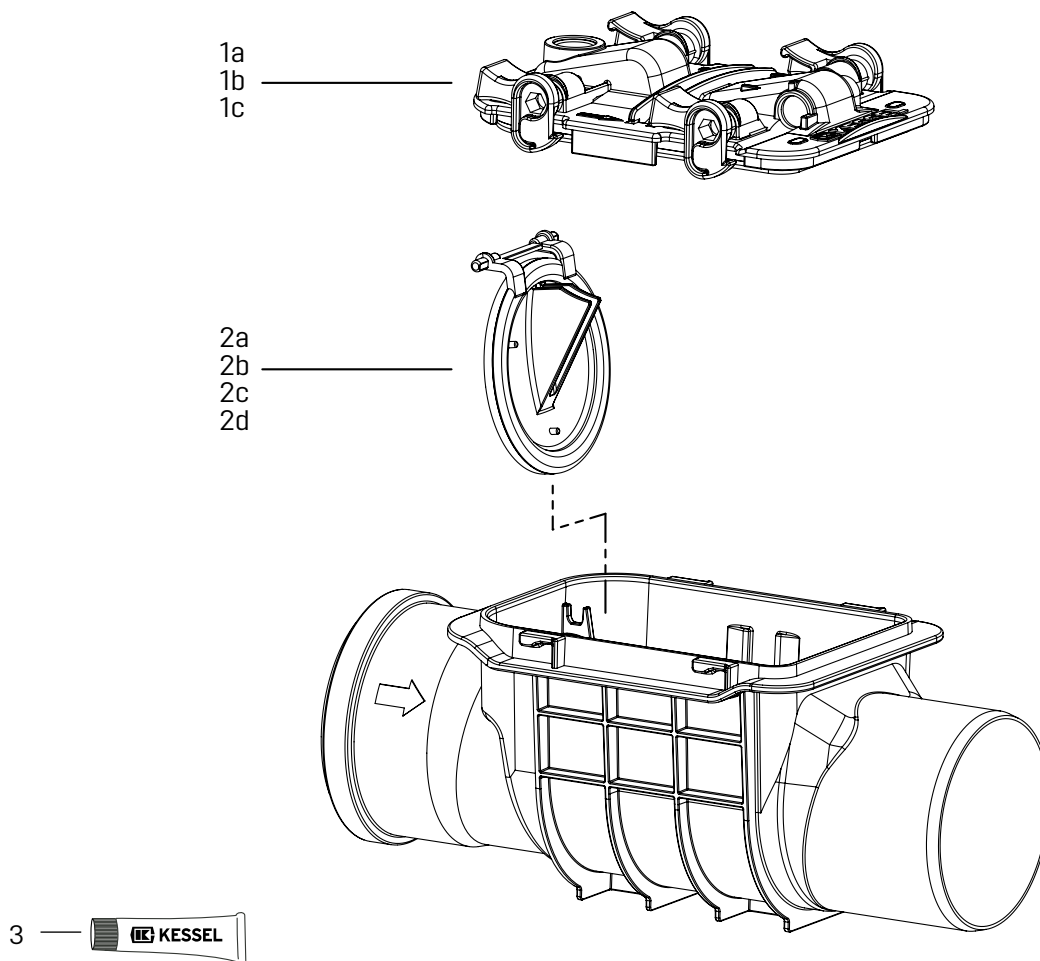


## Backwater valve *Staufix Basic*

Installation in an exposed wastewater pipe, beginning model year 04/2005, orange



Figure shows art. no. 71 100



Item	Designation	Art. no.	Item	Designation	Art. no.
1	Lockable cover <i>Staufix</i> , with seal		2c	with stainless steel cladding Ø 110	70 233
1a	Ø 110	70 251	2d	with stainless steel cladding Ø 125/160	70 234
1b	Ø 125/160	70 252	3	High-performance grease for backwater valves, 12 g	681 001
1c	Ø 200	70 201		Screw for lockable cover Ø 200, 1 ea. (not illustrated)	680 008
2	Backwater flap			Seal set for Ø 200 (not illustrated)	70 118
2a	Ø 110	70 231		Slide-in flap housing for Ø 200 (not illustrated)	70 205
2b	Ø 125/160	70 232			