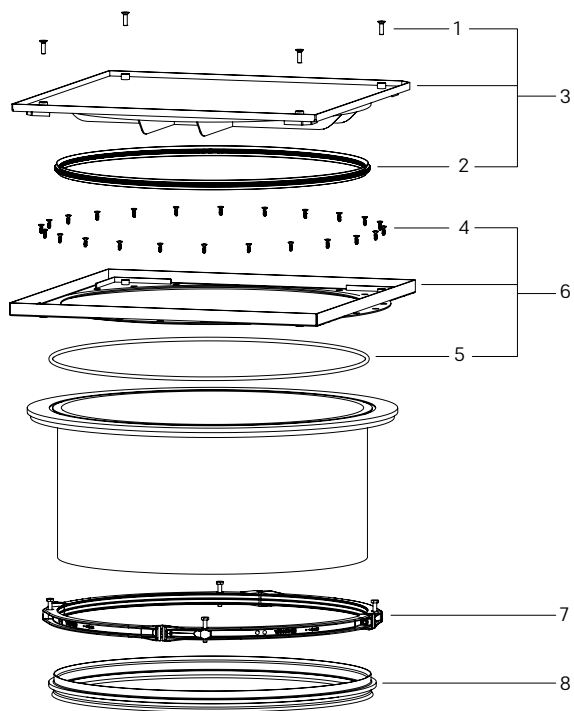


## Upper sections for engineering chamber system

Upper section with cover plate Ø 800 tileable, class K 3

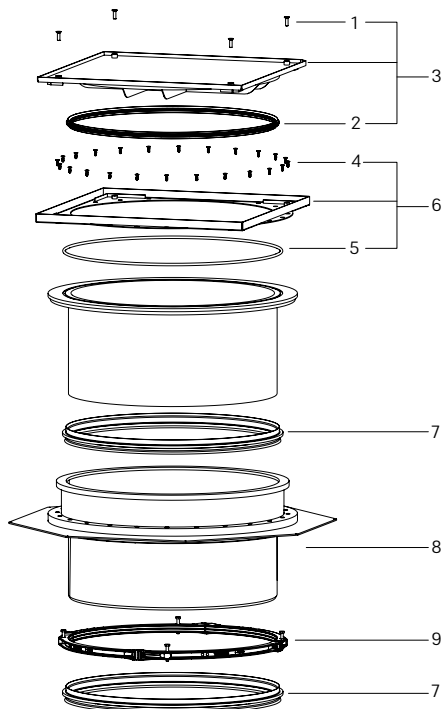
Art. no. 874 0175



Item	Designation	Art. no.
1	Set of 4 countersunk screws M10 × 35, A4	680 593
2	Seal for cover plate Ø 840 mm	680 653
3	Cover plate K 3, incl. 4 screws, seal	680 657
4	Set of 24 screws for upper section, K80 × 22, A2	680 654
5	Seal for upper section, Ø 870 mm	680 655
6	Cover plate frame, K 3, 24 screws, seal	680 656
7	Clamping ring for upper sections, Ø 800 mm	680 568
8	Seal for chamber module Ø 1000, with access opening Ø 800 mm	680 375

Upper section with cover plate Ø 800 tileable with waterproof flange, class K3 \*,

Art. no. 874 0176



Item	Designation	Art. no.
1	Set of 4 countersunk screws M10 × 35, A4	680 593
2	Seal for cover plate Ø 840 mm	680 653
3	Cover plate K 3, incl. 4 screws, seal	680 657
4	Set of 24 screws for upper section, K80 × 22, A2	680 654
5	Seal for upper section, Ø 870 mm	680 655
6	Cover plate frame, K 3, 24 screws, seal	680 656
7	Seal for chamber module Ø 1000, with access opening Ø 800 mm	680 375
8	Waterproof extension with sealing mat, for chamber module	680 378
9	Clamping ring for upper sections, Ø 800 mm	680 568