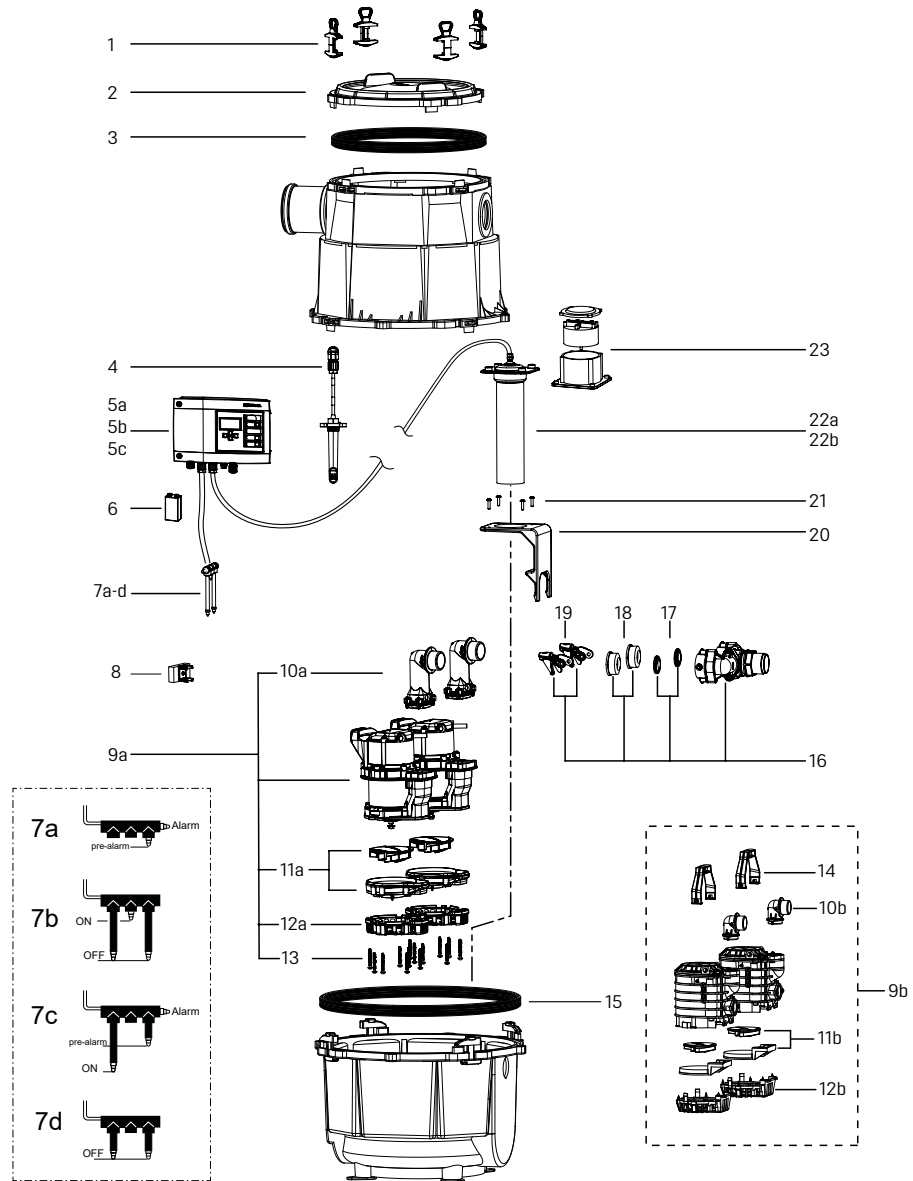


# Lifting station *Aqualift S*

Installation above ground



Item	Designation	Art. no.	Item	Designation	Art. no.
1	Bow nut with coach bolt, screw connection (1 ea.)	28 011	10b	Pressure pipe connection, 90 degree bend for KTP 500	680 033
2	Cover Ø 400, free-standing set-up	680 031	11a	Multi-vane impeller for GTF 500	680 767
3	Seal Ø 368 mm	850 112	11b	Impeller KTP 500, with intake cover	28 038
4	Optical probe with 3 adapters, 5 m cable	80 888	12a	Intake cage for GTF 500	680 770
5	Control unit		12b	Intake cage with push-fit fastener, for KTP 500	680 004
5a	up to model year 03/2012	*	13	Screw set for intake cage GTF 500	680 769
5b	beginning model year 04/2012 for Comfort <i>Aqualift Mono</i> , 230 V	28 731	14	Pump handle for submersible pump KTP 500	680 007
5c	beginning model year 04/2012 for Comfort <i>Aqualift Duo</i> , 230 V	28 746	15	Seal Ø 458 mm	850 113
6	Battery, 9 V block	680 034	16	Duo pump locking set, with one-handed closure	28 032
7	Conductivity probe		17	Non-return flap	27 207
7a	Double, Duo, horizontal	680 674	18	Pump seal Ø 40	680 020
7b	Triple switching probe, Duo, vertical	680 012	19	One-handed closure for backflow preventer	680 018
7c	Triple, Duo, horizontal	680 675	20	Bracket for pressure sensor	680 032
7d	Double alarm probe, Duo, vertical	680 011	21	Screw set for pressure switch (4 ea.)	680 006
8	Probe clamp set (nut, probe clamp, screw)	28 030	22	Immersion pipe	
9a	Replacement pump GTF 500	680 877	22a	with pressure monitor, Duo, 10 m cable, up to model year 12/2009	680 049
9b	Replacement pump KTP 500	**	22b	for <i>Aqualift F</i> and <i>S Duo</i> , 5 m cable, beginning model year 01/2010	680 056
10a	Pressure pipe connection for GTF 500	680 897	23	Pressure monitor, Duo, with seal, up to model year 12/2009	28 046

\*Older control units are being replaced. See overview on page 107

\*\* Will be replaced by new pump GTF 500, art. no. 680 877