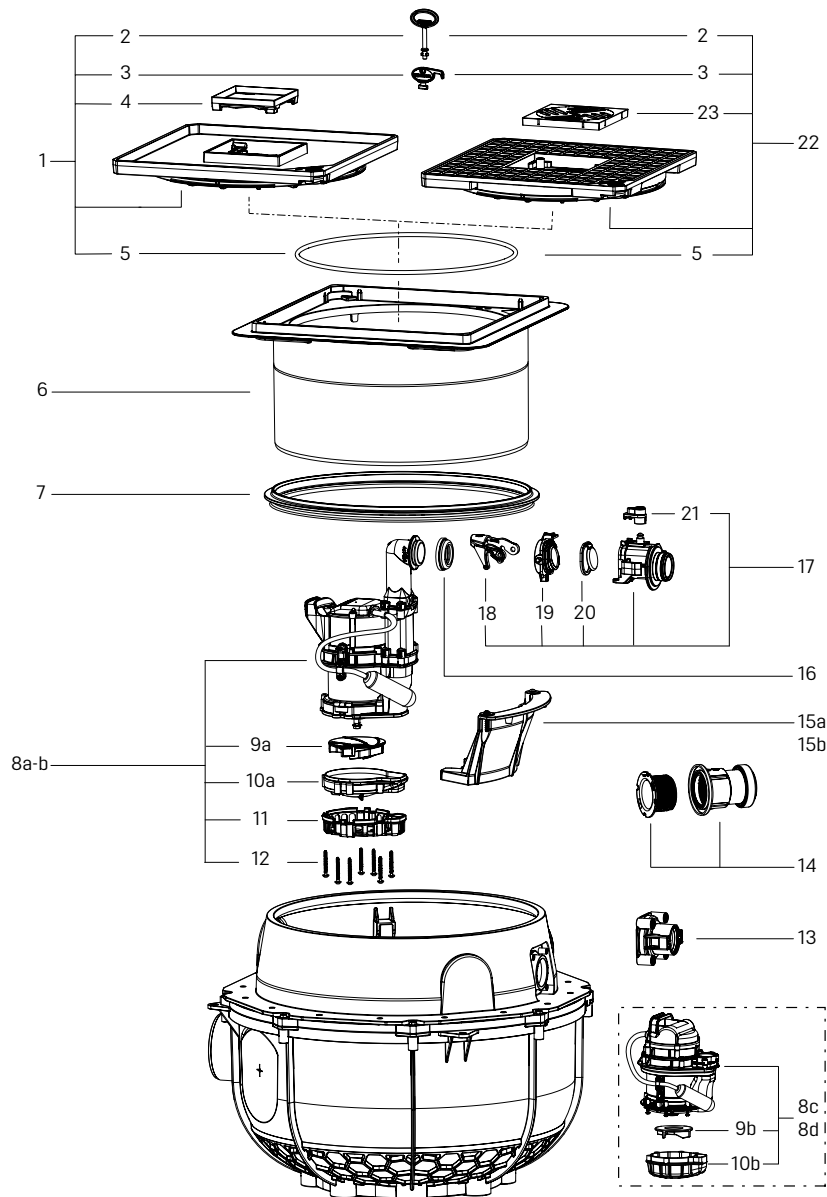
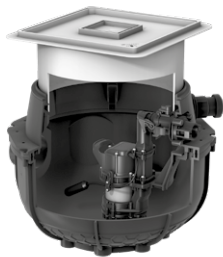


# Lifting station *Aqualift S Compact Mono*

Installation in the floor slab, beginning model year 05/2019



| Item | Designation  | Art. no. | Item | Designation                                       | Art. no. |
|------|--|----------|------|---|----------|
| 1    | Cover plate, tileable, with drain, stone grey, with seal           | 830 054  | 10b  | for GTF 1200, ball passage 30 mm                  | 680 363  |
| 2    | Locking key for <i>Lock &amp; Lift</i> with cover plates           | 67 007   | 11   | Intake cage for GTF 500 and GTF 500 resistant     | 680 770  |
| 3    | Release key for <i>Lock &amp; Lift</i> insert gratings             | 680 702  | 12   | Screw set for intake cage GTF 500                 | 680 769  |
| 4    | Drain cover, tileable, <i>Lock &amp; Lift</i> , ABS                | 680 224  | 13   | Pressure pipe connection with screws              | 680 758  |
| 5    | Seal for cover plate, System 330 mm                                | 686 114  | 14   | Inlet connection made of polymer Ø 50             | 39 005   |
| 6    | Upper section, System 400, stone grey, locked, height up to 170 mm | 830 065  | 15   | Pump hanger                                       |          |
| 7    | Lip seal System 330 mm   | 686 115  | 15a  | for GTF 500 and GTF 500 resistant pumps           | 680 771  |
| 8    | Replacement pump   |          | 15b  | for GTF 1200 pump                                 | 680 772  |
| 8a   | GTF 500, with float switch   | 680 764  | 16   | Seal for pressure pipe connection                 | 680 067  |
| 8b   | GTF 500 resistant, with float switch                               | 680 765  | 17   | Flap housing, Mono, with pump connection          | 680 761  |
| 8c   | GTF 1200, with float switch  | 680 766  | 18   | One-handed closure for backflow preventer         | 680 018  |
| 8d   | GTF 1200 resistant, with float switch                              | 680 953  | 19   | Pump connection                                   | 680 760  |
| 9    | Impeller   |          | 20   | Seal for pump coupling with flap                  | 680 475  |
| 9a   | Multi-vane impeller for GTF 500 and GTF 500 resistant              | 680 767  | 21   | Turn fastener for pump connection lock            | 680 762  |
| 9b   | for GTF 1200, ball passage 30 mm, without spiral housing           | 680 366  | 22   | Cover plate, black, with slotted grating and seal | 830 053  |
| 10   | Spiral housing   |          | 23   | Slotted insert grating, 138 × 138 mm, polymer     | 60 101S  |
| 10a  | for GTF 500 and GTF 500 resistant                                  | 680 768  |      |   |          |