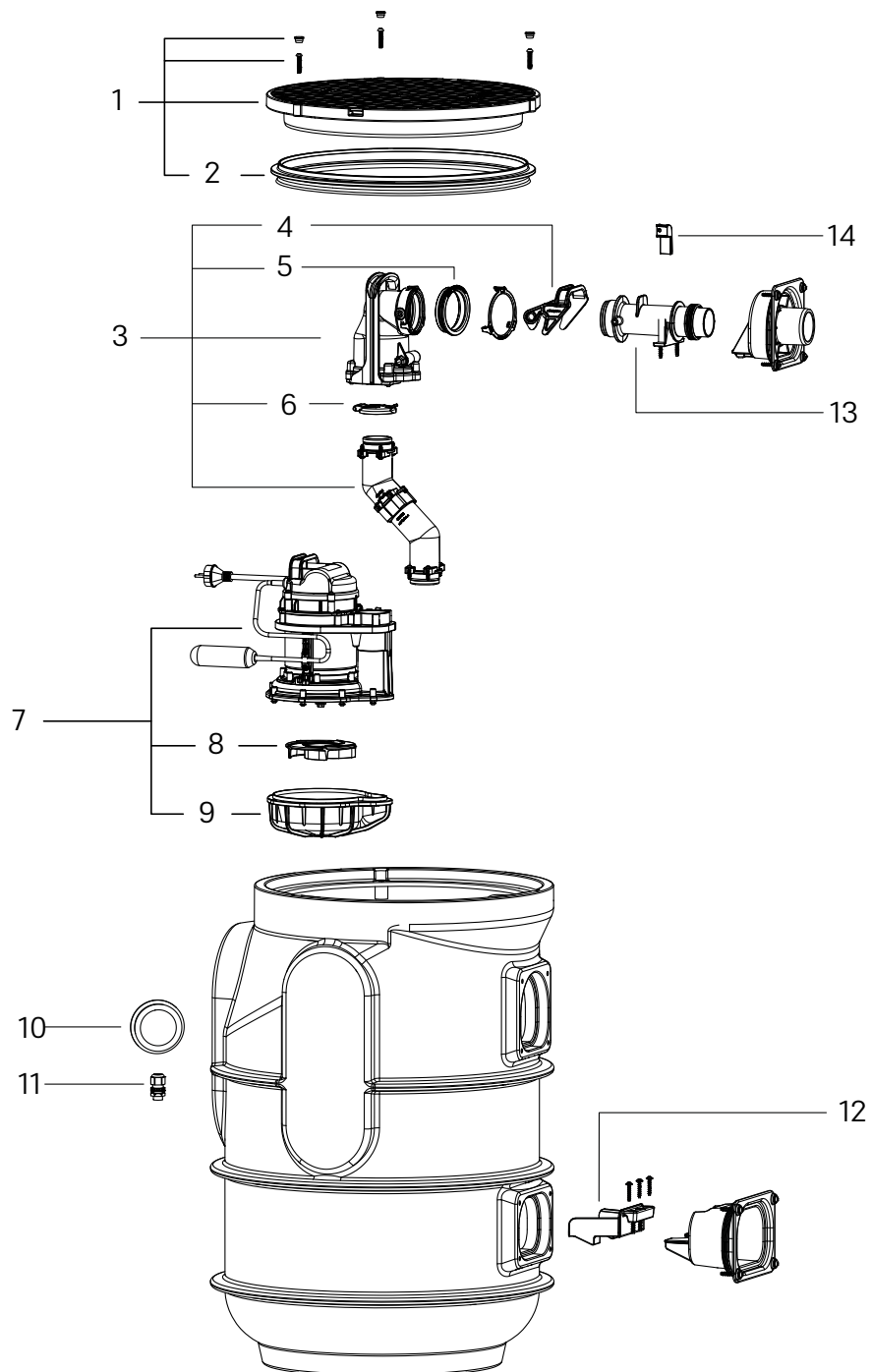


Pumping station *Aqualift F Basic* with floating switch

Installation in the ground



Pos.	Designation	Art. no.	Pos.	Designation	Art. no.
1	Cover plate for pumping station <i>Aqualift F Basic</i>	680 801	8	Impeller	680 804
2	Profiled lip seal	680 150	9	Spiral housing	680 805
3	Flap housing with pressure piping for Pumping station <i>Aqualift F Basic</i>	680 802	10	Conduit pipe seal Ø 110	850 117
4	One-handed closure for pump	680 380	11	Cable gland with hexagon nut	680 812
5	Seal Ø 65 for backflow preventer	680 999	12	Pump hanger for pumping station <i>Aqualift F Basic</i>	680 806
6	Backwater flap	680 630	13	Pressure outlet	680 807
7	Replacement pump STF 1300 with float switch	680 803	14	Bracket for alarm probe	680 813