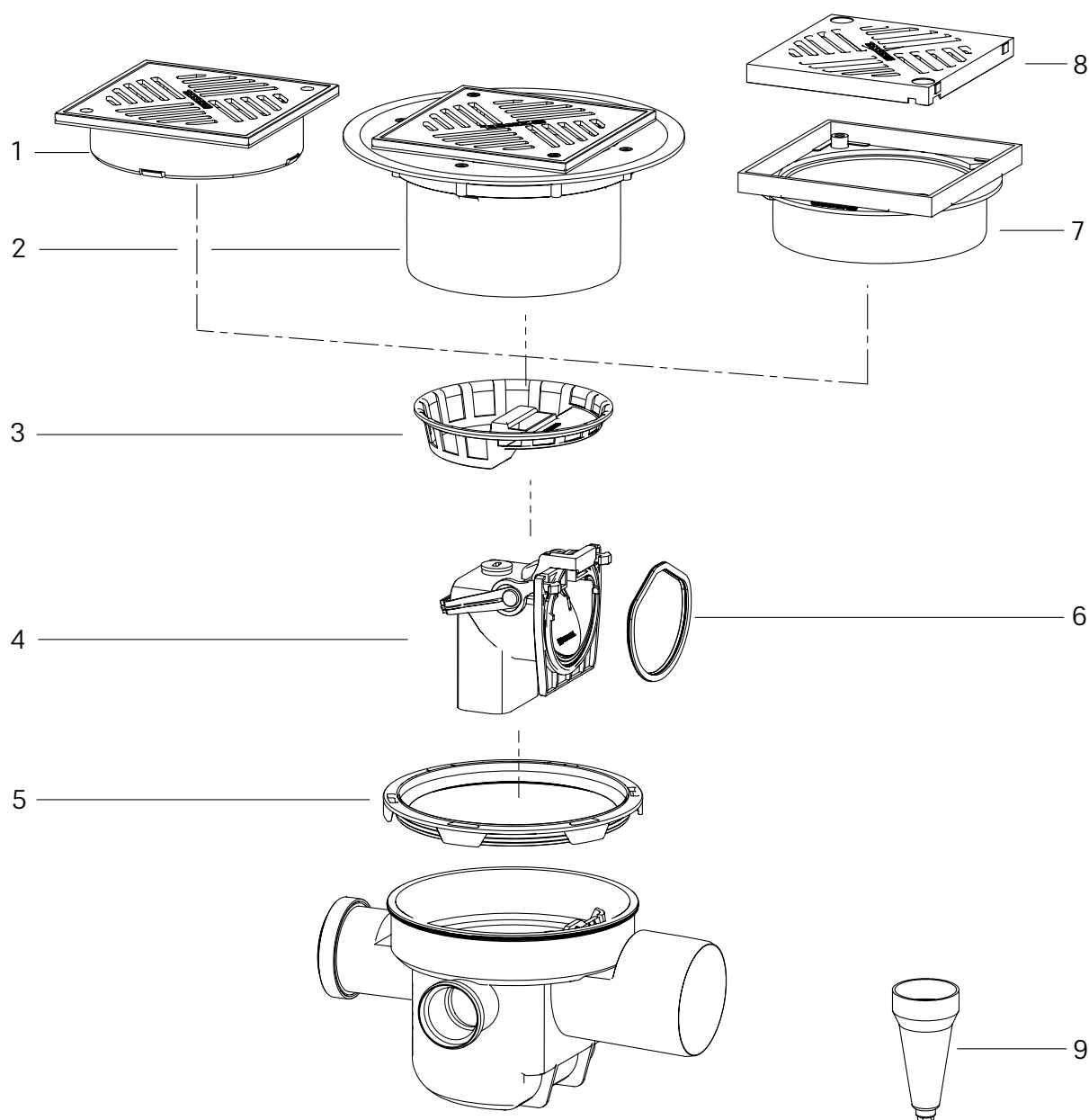


Basement drain *The Universal*

Installation in the floor slab



Item	Designation	Art. no.	Item	Designation	Art. no.
1	Upper section with stainless steel grating 200 × 200 mm, screwed	48 954	6	Lip seal Ø 117 mm	680 280
2	Variofix-Shallow bed upper section with slotted grating 200 × 200 mm	48 968	7	Upper section for polymer grating	27 714
3	Sludge bucket for <i>The Universal</i> basement drain	27 604	8	Slotted grating 188 × 188 mm, made of polymer, black	27 613
4	Backwater valve module for basement drains with two flaps	27 603	9	Test funnel with seal	70 214
5	Lip seal	680 183			