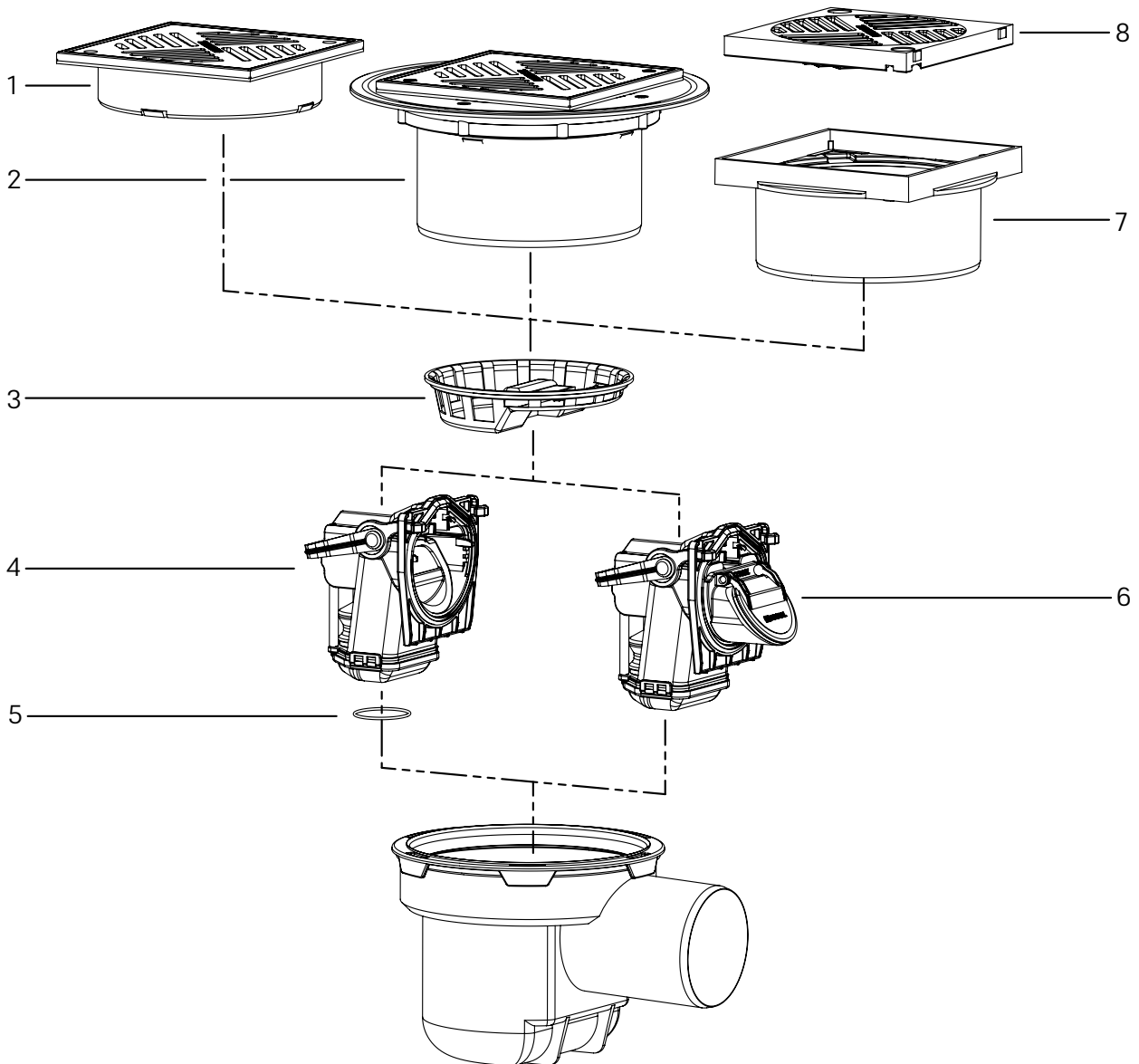


Light liquid trap

Installation in the floor slab, beginning model year 01/2005



Item	Designation	Art. no.
1	Upper section with stainless steel grating 200 × 200 mm, screwed	48 954
2	Variofix-Shallow bed upper section with slotted grating 200 × 200 mm	48 968
3	Sludge bucket for <i>The Universal</i> basement drain and light liquid trap	27 604
4	Floater set with odour trap	27 607

Item	Designation	Art. no.
5	Seal for floater	680 081
6	Floater set with backwater valve and odour trap	27 606
7	Upper section for polymer grating	27 714
8	Slotted grating 188 × 188 mm, made of polymer, black	27 613