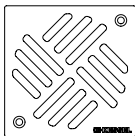
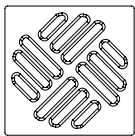

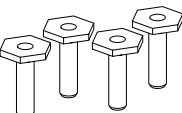
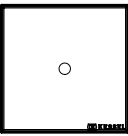

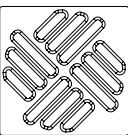



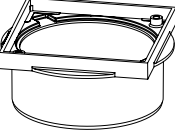
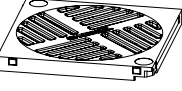
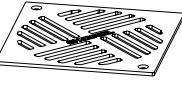
## Insert gratings and accessories for point drains

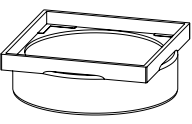

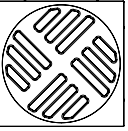
### For bathroom drains

| Image  | Data  | Art. no. |
|--|---|----------|
|   | Slotted grating, solid, screwed<br>200 × 200 × 4 mm<br>made of stainless steel, class L 15        | 27 643   |
|   | Slotted grating<br>100 × 100 mm<br>made of stainless steel, class K 3<br>only for art. no. 27 165 | 27 150   |
|   | Key for<br><i>Lock &amp; Lift</i> for insert gratings   | 680 702  |
|  | Sound and settlement absorber,<br>Hole diameter 14 mm,<br>for <i>The Ultraflat</i>                | 680 882  |


| Image   | Data  | Art. no. |
|---|---|----------|
|   | Tileable cover<br>110 × 110 mm<br>made of polymer<br>with <i>Lock &amp; Lift</i> locking system | 680 224  |
|   | Slotted grating<br>120 × 120 mm<br>made of stainless steel<br>class K 3                         | 680 243  |
|   | Slotted grating<br>95 × 95 mm<br>made of stainless steel, class K 3<br>only for art. no. 47 901 | 27 151   |
|  | Shim seal<br>System 125, Ø 270 mm, EPDM   | 680 886  |

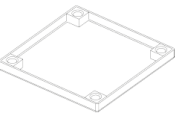
### For basement drains

| Image   | Data  | Art. no. |
|---|---|----------|
|  | Upper section<br>for polymer grating<br>200 × 200 mm, Height 100 mm,  | 27 714   |
|  | Slotted grating<br>188 × 188 mm,<br>made of polymer, black<br>class K 3   | 27 613   |
|  | Slotted grating<br>187 × 187 mm,<br>made of stainless steel, screwed,<br>class K 3, only suitable for art. no. 27 621 | 27 643   |

| Image  | Data   | Art. no. |
|--|--|----------|
|  | Upper section<br>for polymer grating<br>150 × 150 mm, Height 50 mm,<br>only suitable for art. no. 36 501   | 27 157   |
|  | Extension section<br>Ø 160 mm,<br>Extendable by 80 mm,<br>only suitable for art. no. 36 501                | 36 590   |
|  | Slotted grating<br>138 × 138 × 12.5 mm,<br>Polymer, black,<br>class K 3, only suitable for art. no. 36 501 | 60 1015  |

### For Ferrofix stainless steel drains

| Image   | Data  | Art. no. |
|---|---|----------|
|  | Cover<br>150 × 150 mm<br>made of stainless steel V2A, class L 15<br>incl. screws and seal<br>for art. no. 54 912 and 54 913 | 680 477  |

| Image  | Data   | Art. no. |
|--|--|----------|
|  | Tileable cover<br>150 × 150 mm<br>made of stainless steel V2A, class L 15<br>incl. screws and seal<br>for art. no. 54 910 and 54 911 | 680 478  |