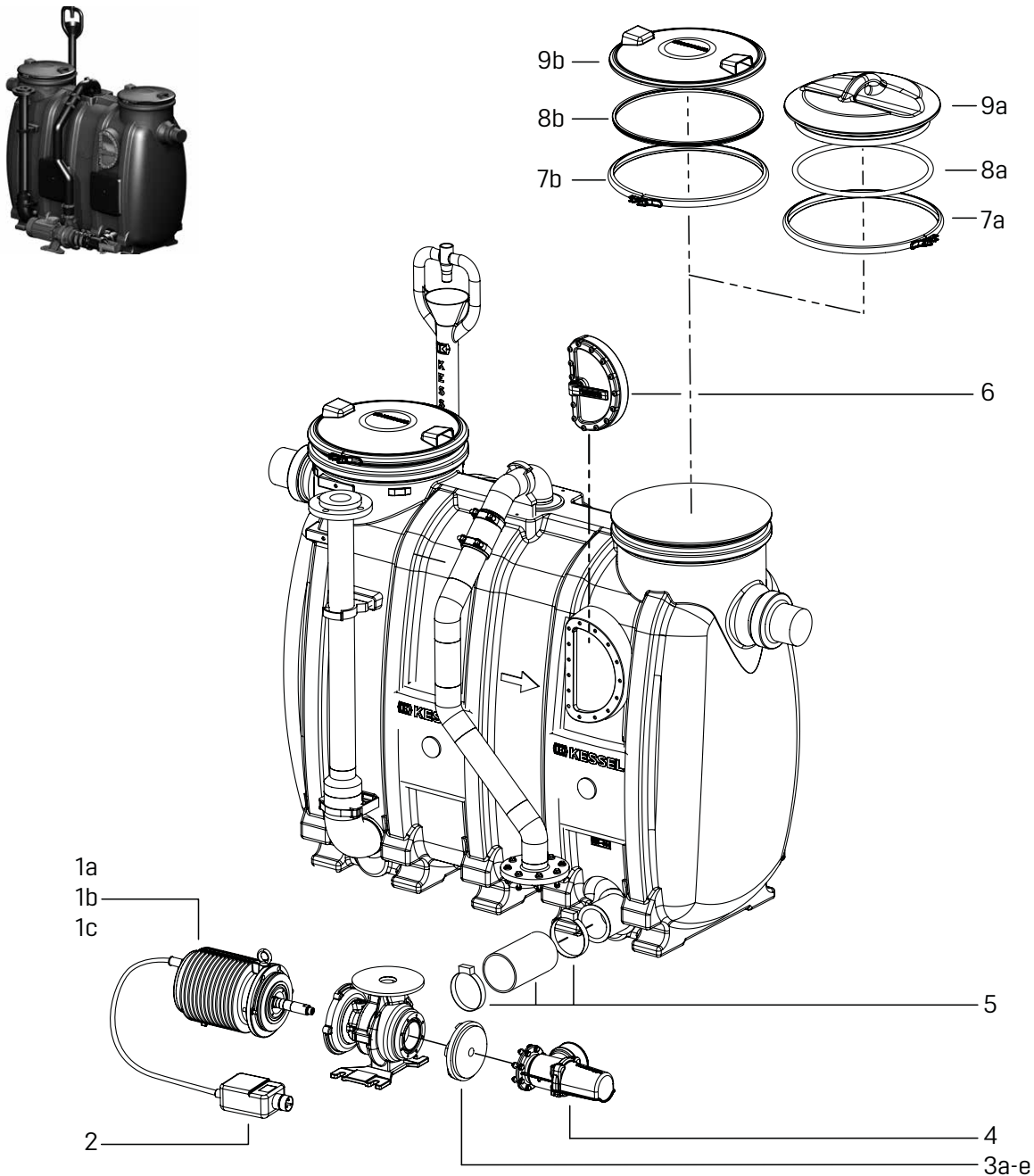


# Grease separator Euro "D+S"

Free-standing set-up, up to model year 09/2013



Item	Designation	Art. no.	Item	Designation	Art. no.
1	Replacement pump		5	Flexible coupling Ø 110, for pressure pipes (hose with 2 clamps)	28 663
1a	SPF 260 KE, 2.6 kW	680 330	6	Inspection window for Euro grease separator	680 589
1b	SPF 400 KE, 4.0 kW	680 331	7	Clamp fastener	
1c	SPF 300 KE 2.0 homogeniser, 3.0 kW	917 856	7a	for cover Ø 420, up to model year 03/2004	680 325
2	CEE motor protection plug for 4 - 6.3 A	680 328	7b	for cover Ø 420, beginning model year 04/2004	917 004
3a	Radial impeller with cutting plate and agitator for 2.6 kW	917 850	8	Seal	
3b	Radial impeller with cutting plate and agitator for 3.0 kW	917 854	8a	for cover Ø 420, up to model year 03/2004	680 217
3c	Radial impeller with cutting plate and agitator for 4.0 kW	917 851	8b	for cover Ø 420, beginning model year 04/2004	917 204
3d	Cutting plate for 2.6/4.0 and 5.5 kW	917 853	9	Cover	
3e	Cutting plate for 3.0 kW	917 855	9a	Ø 420, up to model year 03/2004	680 326
4	Shut-off valve Ø 110, polymer, horizontal	28 683	9b	Ø 420, beginning model year 04/2004	916 904