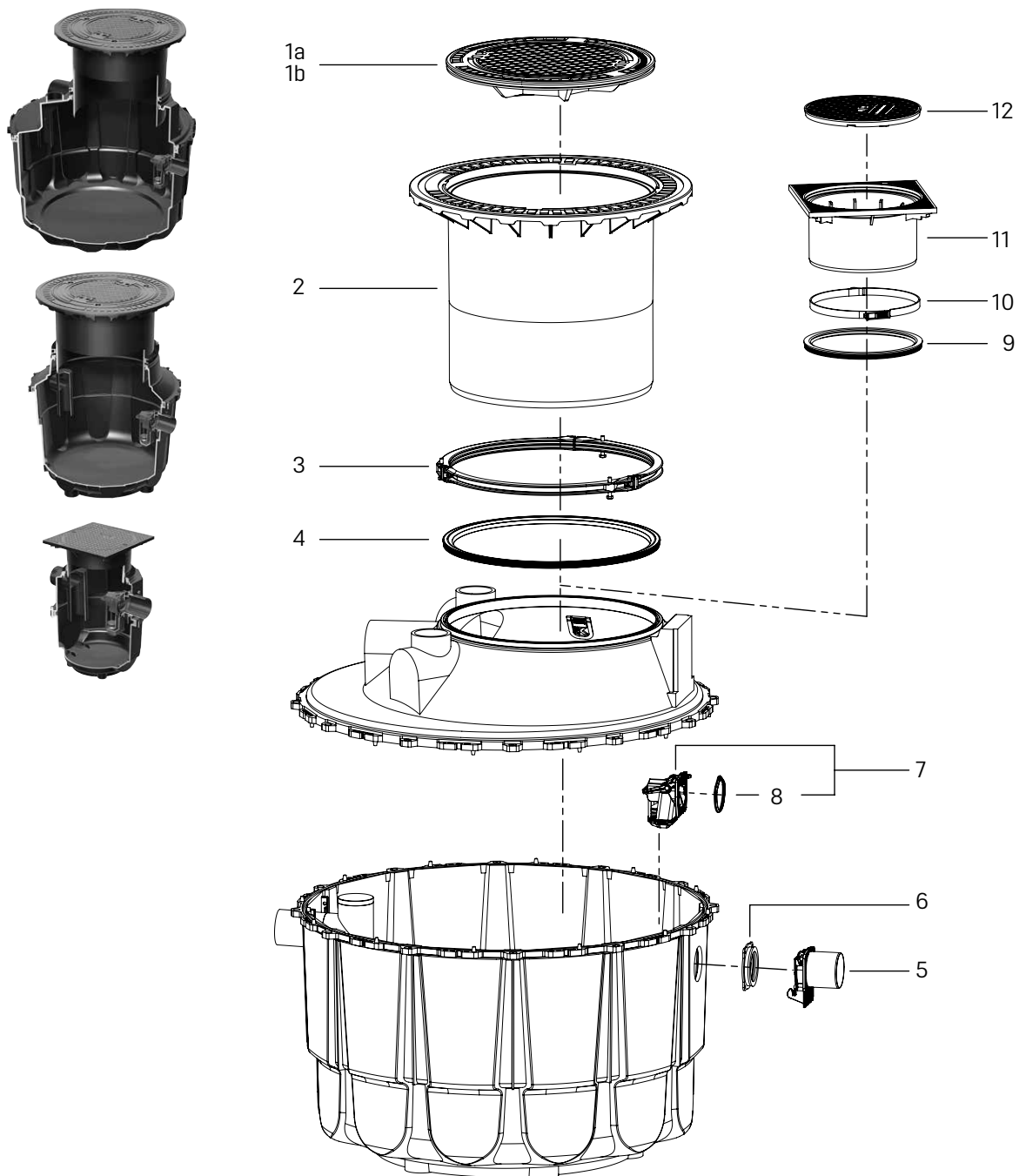


Oil/fuel and coalescence separator *EasyOil* ground

For underground installation



Item	Designation	Art. no.	Item	Designation	Art. no.
1	Cover plate made of grey cast iron		6	Seal for outlet connection	680 335
1a	class A/B, unlocked	680 321	7	Outlet structure for oil/fuel separator NS 1.5, incl. seal	680 333
1b	class D with seal	916 803	8	Lip seal Ø 117	680 280
2	Upper section, surface water resistant, made of polymer	860 141	9	Seal, oil resistant, Ø 468 mm	680 336
3	Clamping ring for upper section, Ø 600	680 276	10	Clamping ring for upper section, for chamber system Ø 400	680 314
4	Seal for upper section Ø 600	680 277	11	Upper section for Ø 400, with clamping ring	680 311
5	Adapter plate with socket	680 334	12	Cover plate, class B, grey cast iron, unlocked, Ø 400	680 317