

# Backwater valve *Multitube*

The high-performance solution for larger pipes.

The *Multitube* is a powerful backwater valve for large-diameter pipes in public, municipal and industrial areas. It can be installed in an exposed drainage pipe. The *Multitube* is also completely corrosion free as it is made entirely from polymer. Available in diameters of Ø 260 mm to Ø 515 mm.

### Area of application

The *Multitube* backwater valve is suitable for use in leaching and pond systems and behind cisterns that are separately connected to a rainwater channel or that lead to a drainage ditch. It provides not only reliable protection against backwater, but also provides additional protection against rats, mice, frogs and vermin.



## Single flap backwater valve *Multitube*

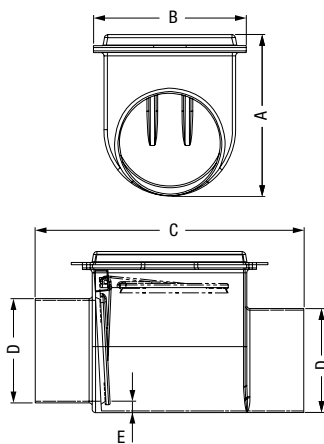
Installation in an exposed wastewater pipe



Made of polymer,  
One self-closing flap,  
incl. two connection couplings



Illustration shows Art. no. 71 400



Outer diameter Ø (mm)	A in mm	B in mm	C in mm	D in mm	E in mm	Connection for pipe size Ø mm	Art. no.
With connection couplings*, for connection to all pipe materials							
Ø 260	485	455	730	260	60	250 - 275	71 250
Ø 320	490	470	825	320	35	310 - 335	71 300
Ø 410	600	610	900	410	30	385 - 410	71 400
Ø 515	730	700	1230	515	40	495 - 525	71 500

\* With connection couplings it is possible to connect pipes of different diameters. Connection couplings are necessary where the difference in outer diameter is > 12 mm. Rights reserved for technical changes