

# Engineering systems base backwater chamber with *Controlfix*

For installation in a concrete slab or outdoor underground installation



Polyethylene PE-HD

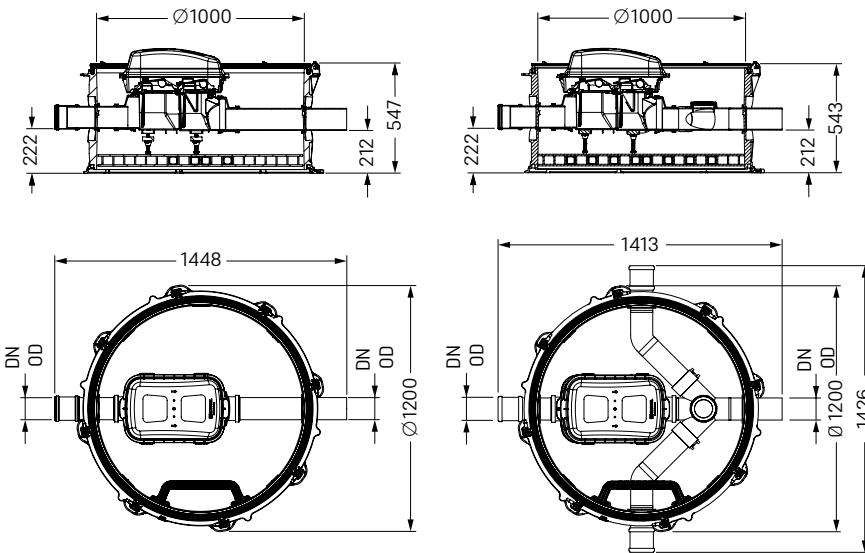
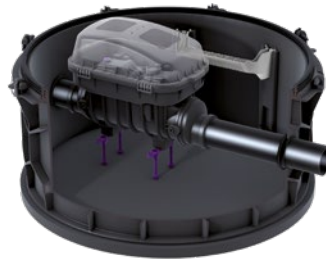
**Version:**

- integrated clean out *Controlfix*
- closed channel passage or two inlets in direction of flow

**Installation:**

Handles groundwater depths up to 3.000 mm

- **Installation:** in combination with system chamber page 62 – 63
- **Conversion kits:** see page below
- **Accessories:** pages 64 – 65



**With closed channel passage**

Outer diameter Ø (mm)	Art. no.
Ø 110	85 10 01
Ø 125	85 12 51
Ø 160	85 15 01

**With two inlets 90° in flow direction**

Outer diameter Ø (mm)	Art. no.
Ø 110	85 10 03
Ø 125	85 12 53
Ø 160	85 15 02

**Engineering systems base backwater chamber in combination with system chamber Ø 1000**

**Conversion options**

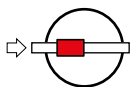
- Conversion kit *Staufix SWA*
- Conversion kit *Staufix FKA*
- Conversion kit *Pumpfix F*



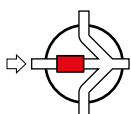
**Channel passage:**

with closed channel passage Ø...

Version Ø 200: (on request)



with two inlets in direction of flow Ø...  
left + right 90°



## Conversion kits

for models made on or after Jan 2011

		Art. no.
<b>Backwater pumping <i>Pumpfix F</i></b>	<p><b>Compatibility:</b> Engineering systems base backwater chamber Ø 1000, for Ø 110 – Ø 200*</p> <p><b>Inclusive:</b> Komfort control unit</p> <p><b>Cable length:</b> 15 m</p> <p>➤ Cable extension: page 54</p>	80 102
<b>Motorized backwater valve <i>Staufix FKA</i></b>	<p><b>Compatibility:</b> Engineering systems base backwater chamber Ø 1000, for Ø 110 – Ø 200*</p> <p><b>Inclusive:</b> Komfort control unit</p> <p><b>Cable length:</b> 15 m</p> <p>➤ Cable extension: page 54</p>	80 104
<b>Backwater valve <i>Staufix SWA</i></b>	<p><b>Compatibility:</b> Engineering systems base backwater chamber Ø 1000, for Ø 110 – Ø 200*</p>	80 091

\* In-/Outlet Ø 200, hydraulics corresponds to Ø 160