

## Grease separator *EasyClean* round free Standard NS 10 – 20 for free-standing installation



EN 1825

### Tank

Manufactured from virgin, non-recycled polyethylene, for free-standing installation in frost-protected areas, with integrated sludge trap, two domed covers made of polymer, with quick-release closure, sealed odour-tight. Inlet and outlet  $\varnothing$  160 / 200 mm for the connection to PE-HD pipes according to DIN 19537, HT pipes according to DIN 19560, PP or AS.

### Disposal System

Standard version requires disposal truck with vacuum system for separator disposal.

**Delivery:** System completely assembled.

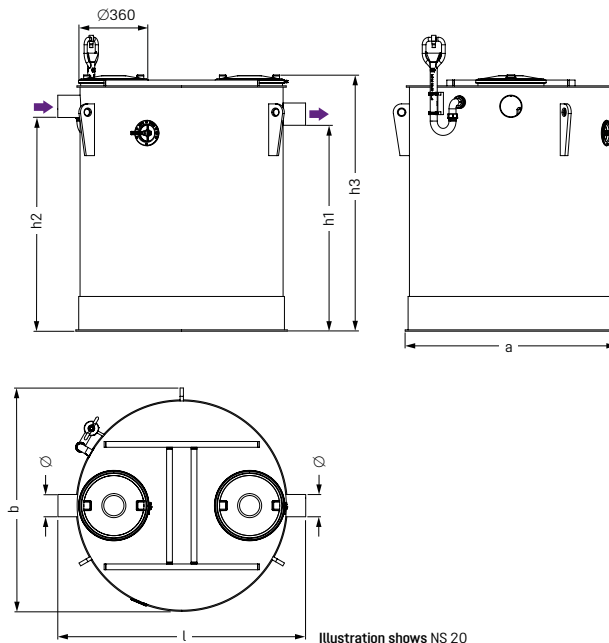
➤ **Accessories:** Inspection window and refill inlet, sampling chamber; lifting stations see chapter "3", pages 361 – 363

➤ **Technical note:** page 360



*without SonicControl*

NS	Art. no.
<i>Without accessories</i>	
NS 10	93 010.05
NS 15	93 015.05
NS 20	93 020.05



NS	$\varnothing$ (mm)	a (mm)	Installation dimension l × b (mm)	h1 (mm)	h2 (mm)	h3 (mm)	Sludge trap (l)	Water and grease (l)	Grease storage (l)	Total (l)
10	160	1570	1900 × 1690	1500	1570	1910	1000	1500	400	2500
15	200	1880	2230 × 1922	1550	1620	2020	1500	2300	600	3800
20	200	1880	2230 × 1922	1850	1920	2300	2000	2650	800	4650

$\varnothing$  = Outer diameter

