

Grease separators *EasyClean* free Basic Direct NS 2 – 10

for free-standing installation



EN 1825 Z-54.1-474

- Service side ... (left/right)
- Inspection window (with/without)
- Refill inlet (with/without)

The separator for grease contaminated wastewater is suitable for free-standing installation in frost protected areas and contains no metal parts in the chamber. The separator chamber made of resistant polymer (PE) includes an integrated sludge trap. Two odour-tight covers with quick-release closures allow easy access for cleaning and maintenance tasks. For odour-reducing manual disposal, with factory installed pressure pipe suction outlet. After disposal, only approx. 3 L of residual sludge volume remains in the tank.

Warranty for polyethylene material: 20 years

Standard: EN 1825

Connection of inlet/outlet fittings: PE-HD pipes according to DIN 19537, HT pipes according to DIN 19560 (PP or AS piping)

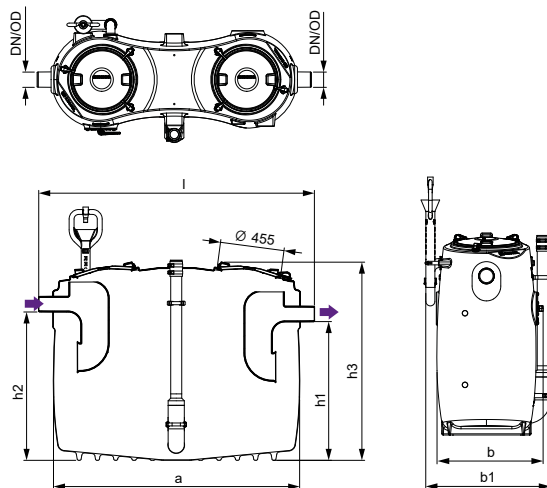
Disposal connection DN(OD): 65 (75 mm) PN10

Delivery: System completely assembled.

- **Accessories:** Sampling chamber page 361
- **Technical note:** page 360



Illustration shows Art. no. 94 004.32DR



NS	Direction of flow "left"	Direction of flow "right"
	Art. no.	Art. no.
Without accessories		
NS 2	94 002.10DL	94 002.10DR
NS 4	94 004.10DL	94 004.10DR
NS 7	94 007.10DL	94 007.10DR
NS 10	94 010.10DL	94 010.10DR
With inspection window		
NS 2	94 002.21DL	94 002.21DR
NS 4	94 004.21DL	94 004.21DR
NS 7	94 007.21DL	94 007.21DR
NS 10	94 010.21DL	94 010.21DR
With refill inlet		
NS 2	94 002.12DL	94 002.12DR
NS 4	94 004.12DL	94 004.12DR
NS 7	94 007.12DL	94 007.12DR
NS 10	94 010.12DL	94 010.12DR
With inspection window and refill inlet		
NS 2	94 002.32DL	94 002.32DR
NS 4	94 004.32DL	94 004.32DR
NS 7	94 007.32DL	94 007.32DR
NS 10	94 010.32DL	94 010.32DR

NS	Outer diameter Ø (mm)	Installation dimension l × b (mm)	b1 (mm)	h1 (mm)	h2 (mm)	h3 (mm)	Weight (kg)	Sludge trap (l)	Water and grease (l)	Grease storage (l)	Total (l)
2	110	1560 × 700	920	985	1055	1420	85	200	460	80	660
4	110	1960 × 700	905	985	1055	1420	105	400	420	160	820
7	160	1960 × 920	1140	1185	1255	1670	155	700	670	280	1370
10	160	2610 × 920	1120	1185	1255	1670	175	1000	880	400	1880

Ø = Outer diameter b1 = Set-up dimensions