

Coalescence separator *EasyOil* ground NS 3 – 15, class I

for underground installation with DIBt-certification



DIN 1999-100 DIN 1999-101 Z-83.8-54

Made of polyethylene

Installation

- Installation is possible with groundwater up to the upper edge of the tank (UET)
- A load distribution plate must be planned for class D
- Class D = 700 mm ≤ DEC ≤ 1500 mm
Class A / B = 700 mm ≤ DEC ≤ 1800 mm

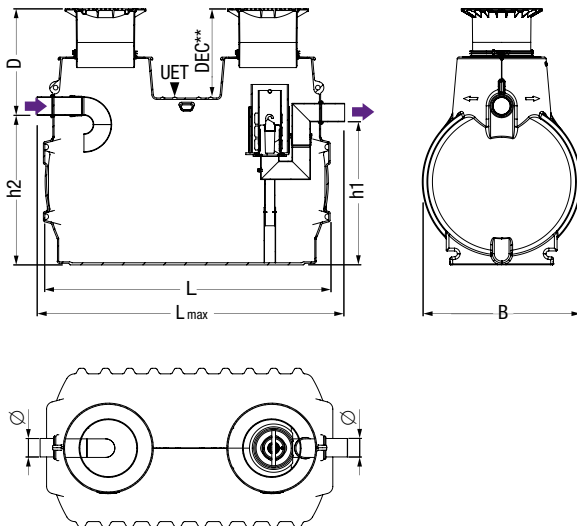
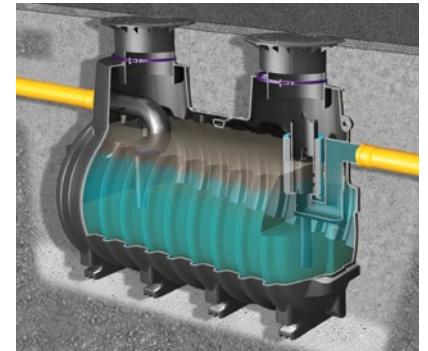
Consisting of:

Removable coalescence filter. Upper sections made of polymer, continuous height and level adjustment, tiltable to 5°, with covers class A / B, D according to EN 124 in cast iron (can be driven over by cars and trucks), incl. lift-out key. Inlet and outlet Ø ... for synthetic material pipes in: PE-HD (according to EN 12666-1); PVC pipe (according to EN 1401-1); PP or AS.

Note:

- Suitable for filling stations with high-performance filling pumps, E10 and biodiesel fuels
- Choose separator size and article number from table below.
Contact KESSEL for separator sizing support if required

➤ **Accessories:** Sampling chamber for underground installation, extension section for deep installation, alarm units for when the maximum oil level is reached and there is a back-up of water (required according to EN 858 Part 1), oil and sludge suction system, *SonicControl* page 397 – 399, pumping stations see chapter "3"



| NS | Installation depth D (min/max) in mm | Art. no. |
|------------------------|--------------------------------------|---------------|
| Cover class A/B | | |
| NS 3 | 710 - 1170 | 99 503.10B EX |
| NS 6 | 735 - 1195 | 99 706.30B EX |
| NS 6 | 735 - 1195 | 99 706.80B EX |
| NS 10 | 710 - 1170 | 99 710.15B EX |
| NS 10 | 735 - 1195 | 99 710.30B EX |
| NS 10 | 735 - 1195 | 99 710.80B EX |
| NS 15 | 735 - 1195 | 99 715.80B EX |
| Cover class D | | |
| NS 3 | 710 - 1170 | 99 503.10D EX |
| NS 6 | 735 - 1195 | 99 706.30D EX |
| NS 6 | 735 - 1195 | 99 706.80D EX |
| NS 10 | 710 - 1170 | 99 710.15D EX |
| NS 10 | 735 - 1195 | 99 710.30D EX |
| NS 10 | 735 - 1195 | 99 710.80D EX |
| NS 15 | 735 - 1195 | 99 715.80D EX |

Technical note

Weather-related influences or cooling of the tanks during the installation phase (caused by filling with cold water) can lead to deviations in dimensions from the catalogue specifications in the case of cisterns and separators installed in the ground.

| NS | Ø* (mm) | Sludge trap capacity (l) | L (mm) | B (mm) | h1 (mm) | h2 (mm) | Oil storage capacity (l) | Excess level | Weight (kg) | Total volume (l) | D-DEC | Lmax |
|----|---------|--------------------------|--------|--------|---------|---------|--------------------------|--------------|-------------|------------------|-------|------|
| 3 | 160 | 1000 | 2390 | 1200 | 1070 | 1100 | 215 | 90 | 395 | 1800 | 155 | 2642 |
| 6 | 200 | 2500 ¹⁾ | 2590 | 1760 | 1600 | 1630 | 380 | 120 | 535 | 4300 | 180 | 2940 |
| 6 | 200 | 5000 | 3110 | 1760 | 1600 | 1630 | 470 | 130 | 610 | 5800 | 180 | 3460 |
| 10 | 160 | 1500 | 2910 | 1200 | 1070 | 1100 | 267 | 100 | 440 | 2600 | 155 | 3162 |
| 10 | 200 | 2500 ¹⁾ | 2590 | 1760 | 1600 | 1630 | 380 | 120 | 535 | 4300 | 180 | 2940 |
| 10 | 200 | 5000 | 3110 | 1760 | 1600 | 1630 | 470 | 130 | 610 | 5800 | 180 | 3460 |
| 15 | 200 | 5000 | 3110 | 1760 | 1600 | 1630 | 470 | 130 | 610 | 5800 | 180 | 3460 |

* Ø = Inlet and outlet outer diameter (mm)

¹⁾ Comparable sludge trap total volume in accordance with the dimensioning according to EN 858.